

Digital CCTV system

## NC-7620 NETWORK CAMERA

Full HD

WDR

0.03 lux

H.264/M-JPEG

30fps

PoE

3-axis adjustment



- Indoor dome type
- Super-resolution technology  
Super-resolution technology used by both Mitsubishi Electric 7000 Series cameras and 5000 Series NVRs achieves amazing improvement in image quality, even during electronic zooming.
- Minimum illumination  
0.03 lux (color, 1/30sec), 0.002 lux (color, 16/30sec)
- Digital sensitivity 16x (max.), digital noise reduction  
Sensitivity enhanced by controlling the after-image and blurring of moving objects in dim light environments.
- 5 streams (max.)
- Easy Scene Fitting  
Optimize camera settings by selecting scenes according to surveillance location such as building entrance with strong backlight, nighttime parking and many more.
- Motion Detection
- Tampering Detection
- Privacy Zone
- Outdoor dome camera case (option B-9860A)

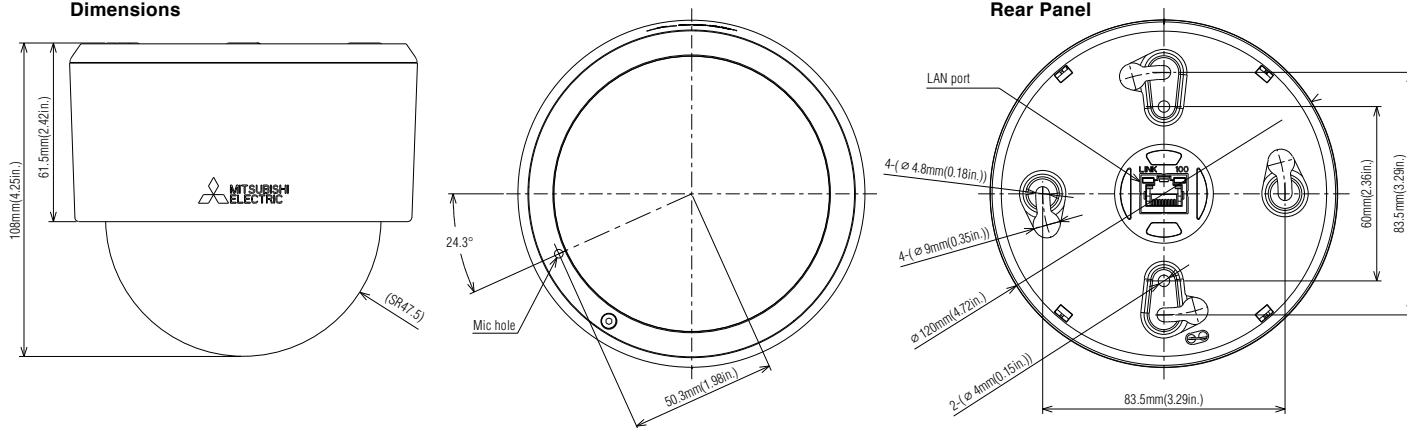


## Specifications

Imaging device	1/2.8 CMOS sensor
Scanning system	Progressive-SCAN
Effective pixels (H x V)	1920 x 1080, approx. 2.08 million
Image size	1920 x 1080 (Full HD), 1280 x 960 (SXVGA), 1280 x 720 (HD), 640 x 360 (HVGAW), 320 x 180
Wide dynamic range(WDR)	Yes
Electronic zoom	16x (max.)
Electronic shutter (sec)	1/30, 3/100, 1/50, 1/60, 1/100, 1/120, 1/250, 1/400, 1/500, 1/1000, 1/2,000, 1/4,000, 1/10,000
Electronic sensitivity	16x (max.)
Automatic electronic sensitivity	Yes
Digital sensitivity	16x (max.)
Digital noise reduction	Yes
Minimum object illumination	0.03lux(color 1/30sec), 0.002lux(color 16/30sec) *equipped with clear dome (optional)
Lens	Varifocal lens approx. 3x
Focal distance	f=3.0mm - 9.0mm
Angle of view	H: 92.5° - 30.5°, V: 47.0° - 17.0°
Max aperture (iris)	F1.2
Angle adjustment	Pan: ±175°, Tilt: 0° - 70°, Rotation: ±90°
Flicker correction	50Hz, 60Hz
Backlight compensation	Backlight compensation with area-selectable presets
White balance	Auto/manual/lock
Area-selectable AWB(Auto White Balance)	Yes
Easy scene fitting	Yes
Motion detection	Yes
Tampering detection	Yes
Privacy zone	Yes
Audio input	Built-in microphone
Audio coding	G.711(μ-Law)/AAC-LC(selectable)
Local monitor output (for angle of view adjustment)	HDMI Mini Type C

Network IF	100Base-TX/10Base-T, RJ-45 connector
Protocol	TCP/IP, UDP/IP, RTP, RTCP, DHCP, NTP, IGMP, ICMP, ARP
Maximum streams	5 (incl. audio)
Maximum transmission distance	100m (109yd.)
Video compressions	H.264 / M-JPEG
	CBR/VBR
Frame rate	1, 2, 3, 5, 10, 15, 30fps
Bit rate (H.264)	Full HD: 512kbps, 768kbps, 1Mbps, 1.5Mbps, 2Mbps, 3Mbps, 5Mbps, 6Mbps HD: 256kbps, 512kbps, 768kbps, 1Mbps, 1.5Mbps, 2Mbps, 3Mbps HVGAW: 128kbps, 256kbps, 384kbps, 512kbps, 768kbps, 1Mbps, 1.5Mbps, 2Mbps, 3Mbps
Compression ratio (M-JPEG)	Full HD: 1/20 320 x 180: 1/15
Bit rate (audio)	AAC-LC: 128kbps fixed Sampling frequency: 24kHz
General	
Ingress Protection (IP)	IP66 *equipped with outdoor dome camera case (option B-9860A)
Operating temperature/humidity	Temperature: -10°C to +50°C (41°F to 122°F) Humidity: 80%RH or less
Power supply	PoE IEEE802.3af
Power consumption	Power class 2 (3.84 - 6.49W)
Color	White
Dimensions	120 in diameter x 108(H) mm (4.72 in diameter x 4.25(H) in.)
Weight	540g (1.19 lb.)
Accessories	Instruction manual
Approvals	CE EN 55022:2010 Class A, EN 55024:2010

## Dimensions



for a greener tomorrow

Eco Changes is the Mitsubishi Electric Group's environmental statement, and expresses the Group's stance on environmental management. Through a wide range of businesses, we are helping contribute to the realization of a sustainable society.



Safety precautions

\* To ensure safe operation, please read the instruction manual carefully before use. Various factors such as heat, humidity, smoke, dust, and amount of use can lead to deterioration and, in turn, malfunctions or accidents.

\*Please be advised that specifications are subject to change without prior notice.



Koriyama factory



JQA-1080  
Communication  
Networks Center

# MITSUBISHI ELECTRIC CORPORATION

HEAD OFFICE: TOKYO BLDG., 2-7-3, MARUNOUCHI, CHIYODA-KU, TOKYO 100-8310, JAPAN  
http://www.MitsubishiElectric.com E-mail:tmd.cctv\_melook@rc.MitsubishiElectric.co.jp

## SLD Security & Communications

4 Mays Close, Weybridge, Surrey KT130XL England  
Phone +44.1483225633 Fax +44.1483225634  
enquiries@sld.uk http://sld.uk/