

Digital CCTV system



NC-7820 NETWORK CAMERA

Full HD

WDR

0.03 lux

H.264/M-JPEG

30fps

PoE

IP66

- Outdoor fixed type (IP66)
- Super-resolution technology
Super-resolution technology used by both Mitsubishi Electric 7000 Series cameras and 5000 Series NVRs achieves amazing improvement in image quality, even during electronic zooming.
- Minimum illumination
0.03 lux (color, 1/30sec), 0.002 lux (color, 16/30sec)
- Digital sensitivity 16x (max.), digital noise reduction
Sensitivity enhanced by controlling the after-image and blurring of moving objects in dim light environments.
- 4 streams (max.)
- Easy Scene Fitting
Optimize camera settings by selecting scenes according to surveillance location such as building entrance with strong backlight, nighttime parking and many more.
- Motion Detection
- Tampering Detection
- Privacy Zone

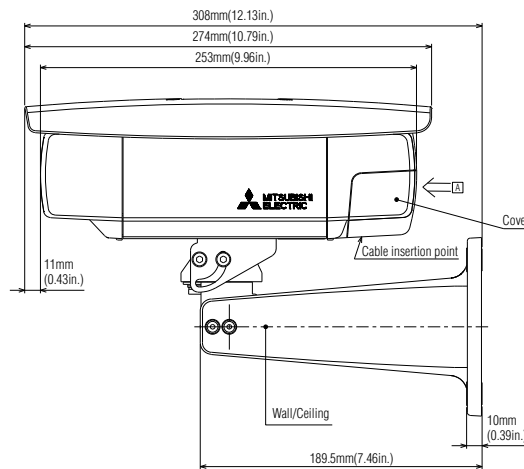
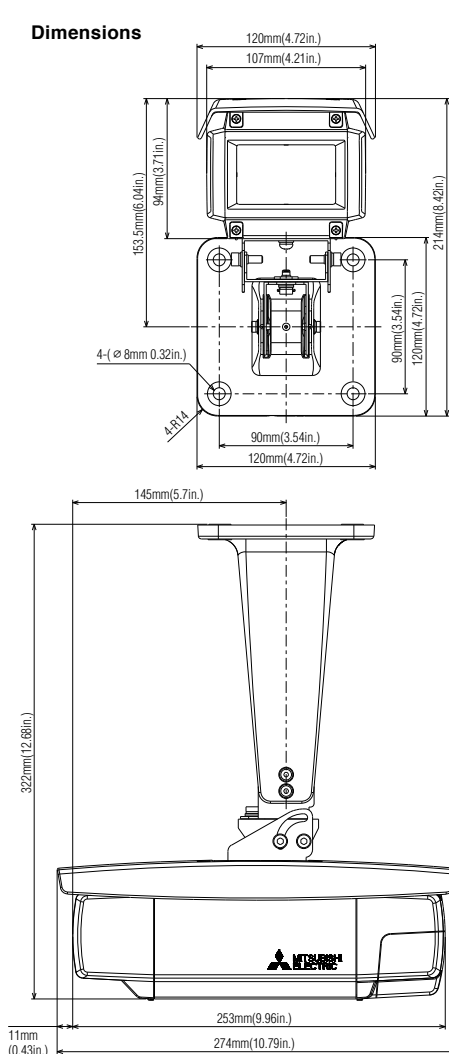


Specifications

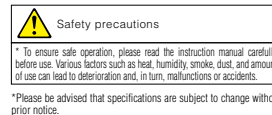
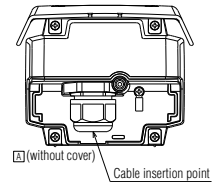
Imaging device	1/2.8 CMOS sensor
Scanning system	Progressive-SCAN
Effective pixels (H x V)	1920 x 1080, approx. 2.08 million
Image size	1920 x 1080 (Full HD), 1280 x 960 (SXVGA), 1280 x 720 (HD), 640 x 360 (HVGA), 320 x 180
Wide dynamic range(WDR)	Yes
Electronic zoom	16x (max.)
Electronic shutter (sec)	1/30, 3/100, 1/50, 1/60, 1/100, 1/120, 1/250, 1/400, 1/500, 1/1000, 1/2,000, 1/4,000, 1/10,000
Electronic sensitivity	16x (max.)
Automatic electronic sensitivity	Yes
Digital sensitivity	16x (max.)
Digital noise reduction	Yes
Minimum illumination	0.03lux(color, 1/30sec), 0.002lux(color 16/30sec)
Lens	Variofocal lens approx. 3x
Focal distance	f=3.0mm - 9.0mm
Angle of view	H: 92.5° - 30.5°, V: 47.0° - 17.0°
Max aperture (iris)	F1.2
Angle adjustment	Pan: ±90°, Tilt: 0°-90°
Flicker correction	50Hz, 60Hz
Backlight compensation	Backlight compensation with area-selectable presets
White balance	Auto/manual/lock
Area-selectable AWB(Auto White Balance)	Yes
Easy scene fitting	Yes
Motion detection	Yes
Tampering detection	Yes

Privacy zone	Yes
Local monitor output (for angle of view adjustment)	HDMI Mini Type C
Network IF	100Base-TX/10Base-T, RJ-45 connector
Protocol	TCP/IP, UDP/IP, RTP, RTCP, DHCP, NTP, IGMP, ICMP, ARP
Maximum streams	4
Maximum transmission distance	100m (109yd.)
Video compressions	H.264 / M-JPEG CBR/VBR
Frame rate	1, 2, 3, 5, 10, 15, 30fps
Bit rate (H.264)	Full HD: 512kbps, 768kbps, 1Mbps, 1.5Mbps, 2Mbps, 3Mbps, 5Mbps, 6Mbps HD: 256kbps, 512kbps, 768kbps, 1Mbps, 1.5Mbps, 2Mbps, 3Mbps HVGA: 128kbps, 256kbps, 384kbps, 512kbps, 768kbps, 1Mbps, 1.5Mbps, 2Mbps, 3Mbps
Compression ratio (M-JPEG)	Full HD: 1/20 320 x 180: 1/15
General	
Ingress Protection (IP)	IP66
Operating temperature/humidity	Temperature:-10°C to +40°C (41°F to 104°F) Humidity: 80%RH or less
Power supply	PoE IEEE802.3af
Power consumption	Power class 2 (3.84 - 6.49W)
Color	Gray
Dimensions	120x308x214mm (4.72x12.13x8.42in.) (WxDxH)
Weight	2.0Kg (4.40lb.)
Accessories	Instruction manual/Bracket
Approvals	CE EN 55022:2010 Class A, EN 55024:2010

Dimensions



Rear Panel



Koriyama factory



JQA-1080
Communication
Networks Center



for a greener tomorrow

Eco Changes is the Mitsubishi Electric Group's environmental statement, and expresses the Group's stance on environmental management. Through a wide range of businesses, we are helping contribute to the realization of a sustainable society.

MITSUBISHI ELECTRIC CORPORATION

HEAD OFFICE: TOKYO BLDG., 2-7-3, MARUNOUCHI, CHIYODA-KU, TOKYO 100-8310, JAPAN
<http://www.MitsubishiElectric.com> E-mail: tmd.cctv_melook@rc.MitsubishiElectric.co.jp

SLD Security & Communications

4 Mays Close, Weybridge, Surrey KT130XL England
 Phone +44.1483225633 Fax +44.1483225634
enquiries@sld.uk <http://sld.uk/>