



NXD-2012PTZ1080 B

Article number: 210925

1/2.8" Network Dome, PTZ, 12x, Day&Night, 4.8-57.6mm, 1920x1080, 24VAC, IP66

Mainfeatures

1/2.8" IP PTZ dome with Sony Exmor CMOS-Sensor

Full HD 1920x1080 pixels, 1080p@50/60fps

Digital noise reduction (DNR)

Wide Dynamic Range (D-WDR)

Privacy zones

Clear bubble

12x AF-lens, 4.8~57.6mm / Digital zoom

Compression H.264/MJPEG, Web Casting

VCA Video Analytic

DIS (Digital Image Stabilization)

Alarm in and outputs, microSD cardslot

ONVIF conformity

Specifications

Series	eneo Minitrax
Resolution standard	HD 1080p
System	True Day&Night
Sensor size	1/2.8"
Imager	Sony Exmor
Imager	CMOS
Sensitivity	0,5 Lux
Sensitivity	(Colour) 0,1Lux (BW)
Automatic electronic shutter (ESC)	1/5 ~ 1/10.000sec.
Manual electronic shutter (MES)	1/5 ~ 1/10.000sec.
Digital Noise Reduction (DNR)	yes
Digital Noise Reduction (DNR)	2D-DNR, 3D-DNR

NXD-2012PTZ1080 B

Specifications continued

Low speed shutter	yes
Low speed shutter	2x ~ 6x
White balance	automatic, manual
Backlight compensation	BLC
Wide Dynamic Range (WDR)	D-WDR
IR cut filter	switchable
Mirror function	H/V flip
Resolution max.	1920x1080
Resolution	1920x1080 (16:9), 1280x1024 (5:4), 1280x960 (4:3), 1280x720 (16:9), 1024x768 (4:3), 704x576 (4:3), 704x480 (4:3), 640x480 (4:3), 320x240 (4:3)
Image transmission rate max.	60 fps
Privacy zones masking	8 zones masking, ON/OFF switchable
Activity detection	yes
Analysis functions	motion detection, tampering protection, Line detection, Field Detector, Defog
Text display	supplied
Menu languages	English, Korean, Chinese, Russian
OSD function control	D-WDR, resolution, presets, day&night, password, motion detection
External connections	12VDC power input, alarm input, alarm output, audio input/output
Audio support	yes
Audio	1/1 Line input and output
Alarm inputs	4
Alarm outputs	1
Alarm processing	FTP, E-Mail, HTTP, Boost, SD-card recording
Internal storage	microSDHC card, 32GB
Compression standard	H.264, M-JPEG
Stream types	2x H.264, 1x MJPEG multiple
Ethernet interface	10Base-T, 100Base-TX
Web browser	MS Internet Explorer vers. 7.0 or higher, Google Chrome (Java), Mozilla Firefox (Java)
Network protocols	TCP/IP, UTP, HTTP, RTP, RTSP, NTP, DHCP, SMTP, DDNS, HTTPS, RTCP, FTP, IPv4, IPv6, Bonjour, Zeroconf, OpenVPN
Multicast compliant	yes
Lens type	auto focus zoom
Focal length	4,8 - 57,6 mm
Horizontal angle of view	64,2 - 5,9 °
Digital zoom	1x ~ 16x
MOD (Minimum object distance)	1 m
Illumination	no
Remote configuration	web browser, remote software
Password protection	yes
e-PTZ support	no
Speed (manual control)	380 °/Sek.

NXD-2012PTZ1080 B

Specifications continued

Rotation range	360 °
Presets	240 presets
Supply voltage	12VDC, 24VAC, PoE
Power over Ethernet	IEEE 802.3af
Blower	no
Heater	optional
Power consumption	12W
Mounting	wall mount, Wall mounting only in conjunction with related accessories, ceiling mount
Temperature range (operation)	-10°C ~ +45°C
Window heater	no
Vandalism resistant	yes
Housing	outdoor
Housing material	aluminium
Colour (housing)	Pantone Cool Gray 1C
Colour (bubble)	clear
Protection rating	IP66
ONVIF	ONVIF Test Tool Version 13.12 (Profile S)
Certificates	CE, IK10
Dimensions (HxWxD)	150x154
Weight	1,5 kg
Parts supplied	manual, drilling template, mounting accessories, installation CD
Preset speed	380 °/Sek.

Special features

Video analytic function

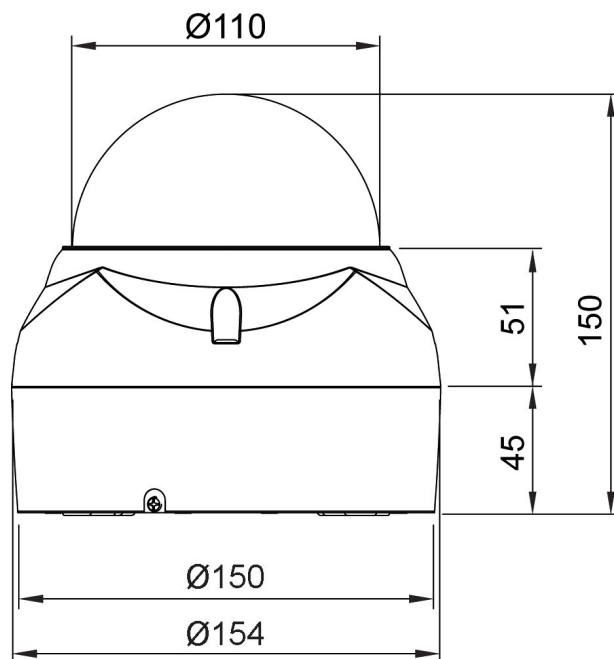
NXD-2012PTZ1080 B

Available Accessories

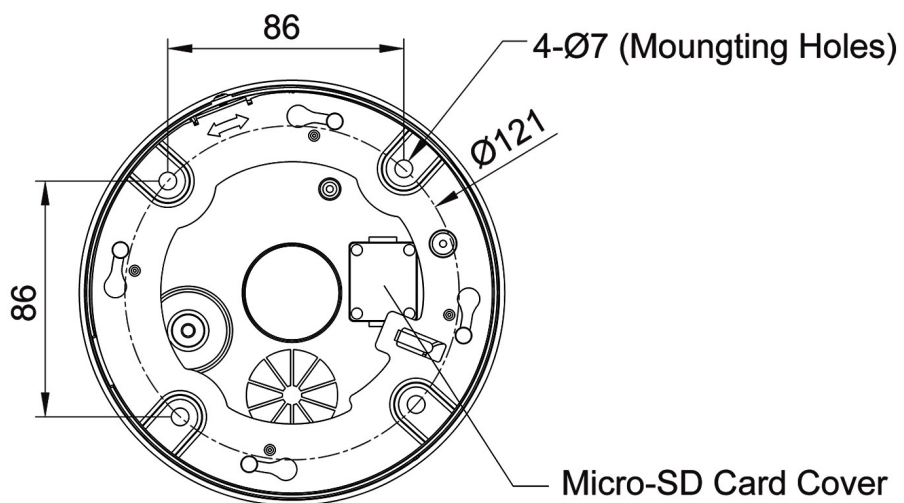
Bild	Art. Nr. / Bezeichnung	Beschreibung
	203696 / DOME-WB2	Wall Bracket, for eneo NLD, NXD-2012xx, EDMC-3221 Dome Series
	70543 / VT-PS12DC-10	Plugable AC/DC Adapter 100-240V/12VDC- 2.5A, stab., Cont. & UK Mains plug-ins
	74155 / EDMC/CWB-1	Wall or Pendant Mount Kit f. Dome Camera Series EDMC, NTD, NLD, NXD & VKCD-1375
	208238 / HAH-1000	Low Voltage Heater Kit 24V/10W for HDD-1012, NXD-2012, NLD-1422
	210144 / eneo Scan Device	Management program for eneo IP Cameras
	211980 / EVX-900R	Media Converter, Indoor, Transmitter-Receiver, 1x RJ45, 1x RJ-11, 12V, up to 1000m
	211981 / EVX-900B	Media Converter, indoor, Transmitter-Receiver, 1x RJ45, 1x BNC, 12V, up to 1000m
	211976 / ECB-1	Media Converter, Indoor, 1x RJ45, 1x SFP
	211982 / EPS-1008	PoE Switch, 8x PoE+, 1x RJ45, 1x SFP, 130W, Metal Housing
	211983 / EPS-1016	PoE Switch, 16x PoE+, 2x RJ45, 2x SFP, 250W, 19" Rack

NXD-2012PTZ1080 B

Technical Drawing



FRONT VIEW



BOTTOM VIEW

Dimensions: mm

Your Contact Person

SLD Security & Communications

4 Mays Close, Weybridge, Surrey KT13 0XL England

Phone +44.1483225633 Fax +44.1483225634

enquiries@sld.uk <http://sld.uk/>