



## NXD-2030PTZ1080IR

Article number: 210143

1/2.8" Network Dome, PTZ, 30x, Day&Night, 4.3-129mm, Infrared, 1920x1080, Outdoor

### Mainfeatures

1/2.8" IP PTZ Dome with Sony CMOS-sensor

Full HD 1920x1080 Pixel, 1080p@50/60fps

Digital noise reduction (DNR)

Zoom synchronized & fixed IR LEDs

DIS (Digital Image Stabilization)

High-PoE midspan included

30x AF zoom, 4.3mm-129mm, digital zoom

Compression H.264/MJPEG, Web casting

VCA Video Analytic

Wide Dynamic Range (Digital-WDR)

Alarm in- and outputs

ONVIF conformity

### Specifications

Resolution standard	HD 1080p
System	True Day&Night
Sensor size	1/2.8"
Imager	Sony Exmor
Imager	CMOS
Sensitivity	0,5 Lux
Sensitivity	(Colour) 0,1Lux (BW)
Automatic electronic shutter (ESC)	1/5 ~ 1/10.000sec.
Manual electronic shutter (MES)	1/5 ~ 1/10.000sec.
Digital Noise Reduction (DNR)	SSNRIII
Low speed shutter	yes
Low speed shutter	2x ~ 6x

# NXD-2030PTZ1080IR

## Specifications continued

White balance	AWB
Backlight compensation	BLC
Wide Dynamic Range (WDR)	D-WDR
IR cut filter	switchable
Mirror function	H/V flip
Resolution max.	1920x1080
Resolution	1920x1080 (16:9), 1280x1024 (5:4), 1280x960 (4:3), 1280x720 (16:9), 1024x768 (4:3), 704x576 (4:3), 704x480 (4:3), 640x480 (4:3), 320x240 (4:3)
Image transmission rate max.	60 fps
Privacy zones masking	8 zones masking
Activity detection	yes
Analysis functions	motion detection, tampering protection, Line detection, Field Detector, Defog
Menu languages	English, Korean, Chinese, Russian
External connections	12VDC input (DC plug), RJ-45, alarm input/output, audio input/output
Audio support	yes
Audio	1/1 Line input and output
Alarm inputs	4
Alarm outputs	1
Alarm processing	FTP, E-Mail, HTTP, Boost, SD-card recording
Internal storage	microSDHC card, 32GB
Compression standard	H.264, M-JPEG
Stream types	2x H.264, 1x MJPEG multiple
Ethernet interface	10Base-T, 100Base-TX
Web browser	MS Internet Explorer vers. 7.0 or higher, Google Chrome (Java), Mozilla Firefox (Java)
Network protocols	TCP/IP, UTP, HTTP, RTP, RTSP, NTP, DHCP, SMTP, DDNS, HTTPS, RTCP, FTP, IPv4, IPv6, Bonjour, Zeroconf, OpenVPN
Multicast compliant	yes
Lens type	auto focus zoom
Zoom factor	30x
Focal length	4,3 - 129,0 mm
Horizontal angle of view	65,1 - 2,23 °
Digital zoom	yes
Illumination	infrared
Illumination	Zoom Synchronized & Fixed IR LED
Illumination range	approx. 150m
Password protection	yes
Speed (manual control)	380 °/Sek.
Rotation range	360 °
Presets	256 presets
Supply voltage	PoE+, 12VDC
Power over Ethernet	HiPoE

# NXD-2030PTZ1080IR

## Specifications continued

Heater	yes
Power consumption	36W
Mounting	wall mount, ceiling mount
Temperature range (operation)	-30°C ~ +50°C
Window heater	yes
Vandalism resistant	n/a
Housing	outdoor
Housing material	metal
Colour (housing)	Pantone Cool Gray 1C
Protection rating	IP66
SDK	upon request
ONVIF	Profile S
Certificates	CE
Dimensions (HxWxD)	370.78x201.38mm (ø158)
Weight	4.9kg
Parts supplied	manual, High-Power-over-Ethernet-Midspans, installation CD, mounting accessories

## Special features

Video analytic function, Anti-moisture coating of camera window  
Outdoor-ready, High POE Midspan are scope of supply

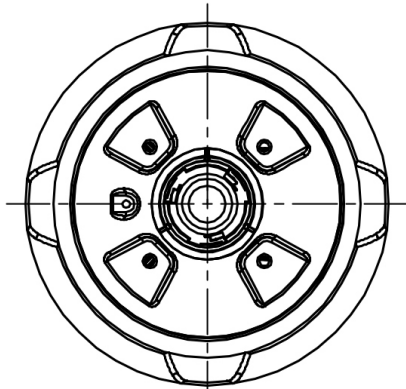
# NXD-2030PTZ1080IR

## Available Accessories

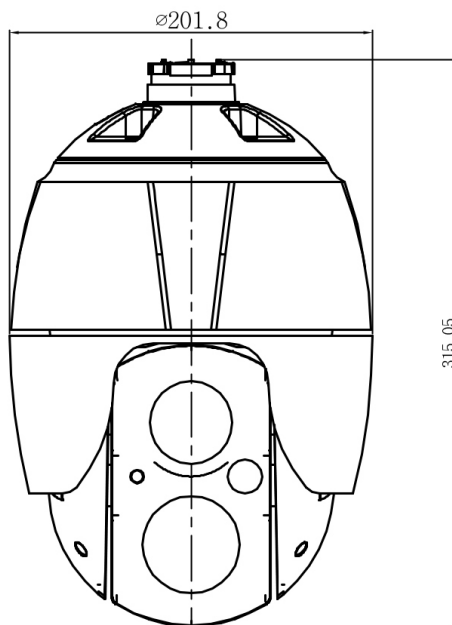
Bild	Art. Nr. / Bezeichnung	Beschreibung
	74127 / EDC-WMB1	Wall Mount for EDC(H) Dome Cameras with Mounting Kit
	74128 / EDC-CMT1	Ceiling Mount Tube with Flange Plate for EDC(H) _ EDMC/E Cameras with Mounting Kit
	210144 / eneo Scan Device	Management program for eneo IP Cameras
	211980 / EVX-900R	Media Converter, Indoor, Transmitter-Receiver, 1x RJ45, 1x RJ-11, 12V, up to 1000m
	211981 / EVX-900B	Media Converter, indoor, Transmitter-Receiver, 1x RJ45, 1x BNC, 12V, up to 1000m
	211976 / ECB-1	Media Converter, Indoor, 1x RJ45, 1x SFP
	211982 / EPS-1008	PoE Switch, 8x PoE+, 1x RJ45, 1x SFP, 130W, Metal Housing
	211983 / EPS-1016	PoE Switch, 16x PoE+, 2x RJ45, 2x SFP, 250W, 19" Rack

# NXD-2030PTZ1080IR

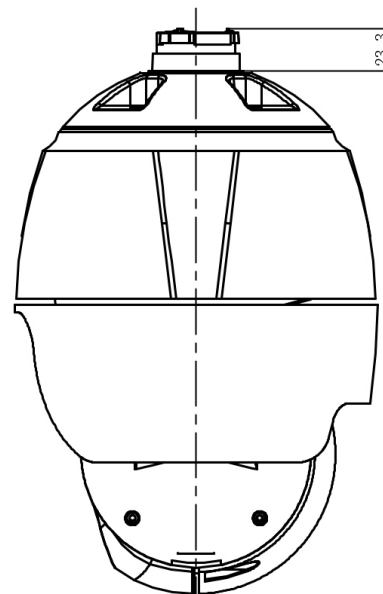
Technical Drawing



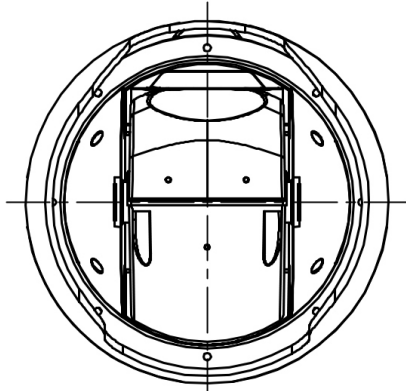
Top View



Front View



Side View



Bottom View

Maße/Dimensions: mm

## Your Contact Person

**SLD Security & Communications**  
4 Mays Close, Weybridge, Surrey KT130XL England  
Phone +44.1483225633 Fax +44.1483225634  
enquiries@sld.uk <http://sld.uk/>