



NXD-880F37P

Article number: 211499

1/2,8" Network Dome, PoE, 1920x1080, ONVIF, Day&Night, 3,7mm, Indoor

Mainfeatures

1/2.8" 2.0 MP Progressive Scan CMOS-Sensor

Triple Streaming (H.264, MPEG4, MJPEG)

BLC (Back Light Compensation)

Web Casting

Privacy Masking, Password Protection

OpenVPN Support

Resolution max. 1920x1080 (Full HD)

Noise Reduction (2D-DNR)

Auto Exposure (AE)

Auto White Balance (AWB)

Framerate increase on motion detection

Specifications

Series	eneo Economy Class
Resolution standard	HD 1080p
System	electronic Day&Night
Sensor size	1/2.8"
Imager	Sony Exmor
Imager	CMOS
Sensitivity	0,2 Lux
Digital Noise Reduction (DNR)	yes
Digital Noise Reduction (DNR)	2D-DNR
Low speed shutter	yes
White balance	AWB
Backlight compensation	BLC

NXD-880F37P

Specifications continued

Wide Dynamic Range (WDR)	no
IR cut filter	standard
Mirror function	yes
Resolution max.	1920x1080
Resolution	1920x1080 (16:9), 1280x1024 (5:4), 1280x720 (16:9), 704x576 (4:3), 704x480 (4:3), 640x480 (4:3), 352x288 (4:3), 352:240 (4:3), 320x240 (4:3)
Image transmission rate max.	30 fps
Privacy zones masking	8 zones masking
Activity detection	yes
Analysis functions	motion detection
Text display	supplied
Menu languages	German, French, Russian, Chinese, Korean, English
External connections	voltage input
Audio support	no
Alarm inputs	1
Alarm outputs	1
Alarm processing	SD-card recording, FTP, E-Mail, HTTP, HTTP/XML, Boost
Internal storage	microSDHC card, 32GB
Compression standard	H.264, MPEG-4, M-JPEG, JPEG
Stream types	2x H.264, 1x MJPEG multiple
Ethernet interface	100Base-TX
Web browser	MS Internet Explorer vers. 7.0 or higher, Mozilla Firefox (Java), Google Chrome (Java), Safari (Java)
Network protocols	IPv4, IPv6, TCP, UDP, HTTP, HTTPS, RTP, RTSP, NTP, DHCP, SMTP, DDNS, RTCP, FTP, NFS, CIFS, UPnP, Zeroconf, Bonjour, SSL, OpenVPN, NAT
Multicast compliant	yes
Lens type	fixed focal length
Focal length	3,7 mm
Horizontal angle of view	90 °
Digital zoom	yes
Iris control	no
Remote configuration	web browser
Firmware update	via network
e-PTZ support	EPTZ (digital PTZ)
Supply voltage	PoE, 12VDC
Power over Ethernet	yes
Power over Ethernet	IEEE 802.3af
Blower	no
Heater	no
Power consumption	4.5W
Mounting	wall mount, ceiling mount
Temperature range (operation)	-10°C ~ +45°C
Window heater	no
Vandalism resistant	no

NXD-880F37P

Specifications continued

Housing	indoor
Housing material	plastic
Colour (housing)	white
Colour (bubble)	clear
SDK	upon request
ONVIF	yes, Profile S
Certificates	CE, RoHS
Dimensions (HxWxD)	55x115mm
Weight	235g
Parts supplied	mounting accessories, installation CD, drilling template, Quick Installation Guide, Manual and Software on CD-ROM

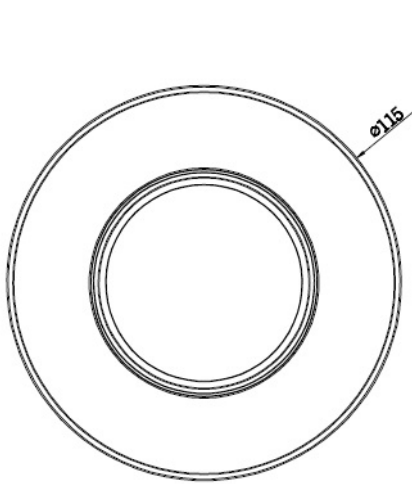
NXD-880F37P

Available Accessories

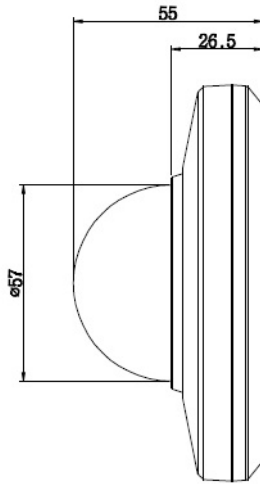
Bild	Art. Nr. / Bezeichnung	Beschreibung
	210144 / eneo Scan Device	Management program for eneo IP Cameras
	211974 / ENX-900P	PoE Extender, RJ45, Indoor, up to 100m, Gigabit Ethernet, Half/Full Duplex
	211980 / EVX-900R	Media Converter, Indoor, Transmitter-Receiver, 1x RJ45, 1x RJ-11, 12V, up to 1000m
	211981 / EVX-900B	Media Converter, indoor, Transmitter-Receiver, 1x RJ45, 1x BNC, 12V, up to 1000m
	211976 / ECB-1	Media Converter, Indoor, 1x RJ45, 1x SFP
	211979 / ENI-900P	PoE Injector, Gigabit, Indoor, PoE+, RJ45
	211982 / EPS-1008	PoE Switch, 8x PoE+, 1x RJ45, 1x SFP, 130W, Metal Housing
	211983 / EPS-1016	PoE Switch, 16x PoE+, 2x RJ45, 2x SFP, 250W, 19" Rack

NXD-880F37P

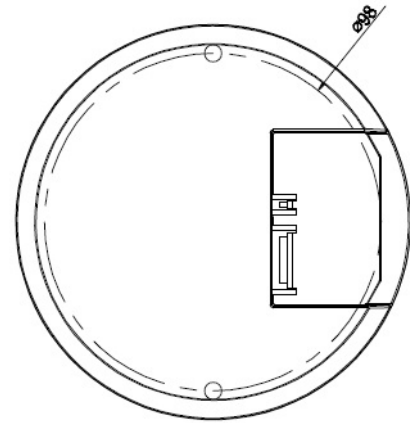
Technical Drawing



Top View



Side View



Bottom View

Maße/Dimensions: mm

Your Contact Person

SLD Security & Communications
4 Mays Close, Weybridge, Surrey KT130XL England
Phone +44.1483225633 Fax +44.1483225634
enquiries@sld.uk <http://sld.uk/>