

# PLD-CMA1

Home | Security | IP Domes | Accessories

PLD-CMA1  
Corner Mount Adaptor, for eneo PLD-WMB1, PLD-WMB2,

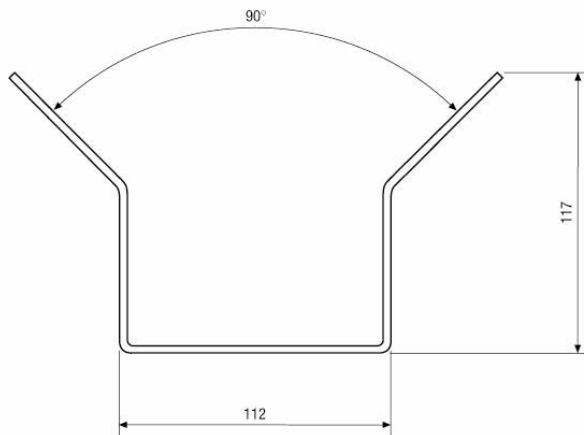
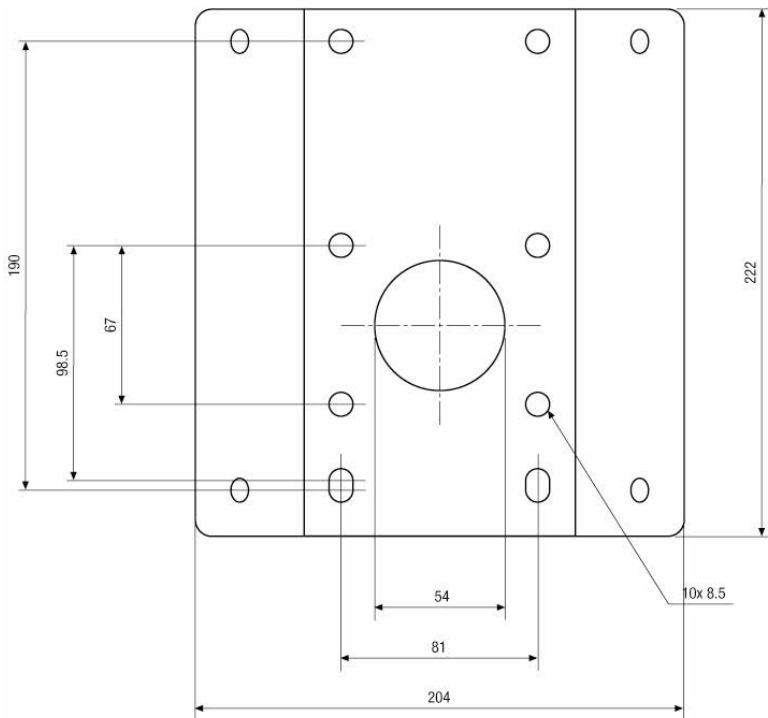
**Art-Nr. 200830**



## Specifications

Series	eneo PXD
Material	metal
Colour	RAL9003
Dimensions (HxWxD)	222x204x117
Weight	2.4kg

## Technical drawing



Maße/Dimensions: mm

### SLD Networks Limited

4 Mays Close, Weybridge, Surrey KT130XL England

Phone +44.1483225633 Fax +44.1483225634

enquiries@sldnetworks.com <http://sldnetworks.com/>