

# PLD-CMT1

Home | Security | IP Domes | Accessories

PLD-CMT1  
Ceiling Bracket, for Domes eneo PLD, PXD Series,  
250mm, Safety Rope

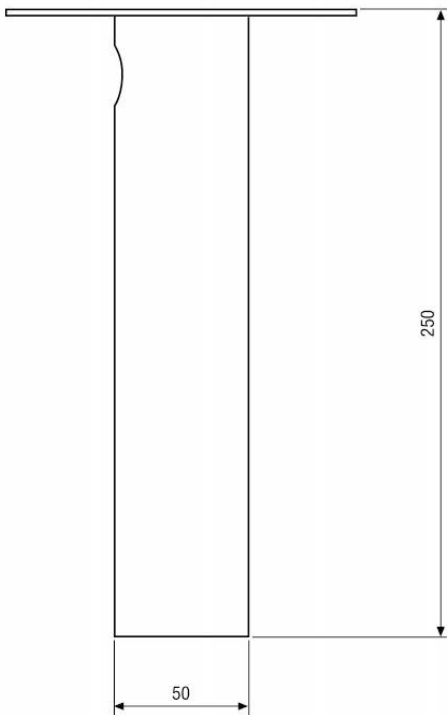
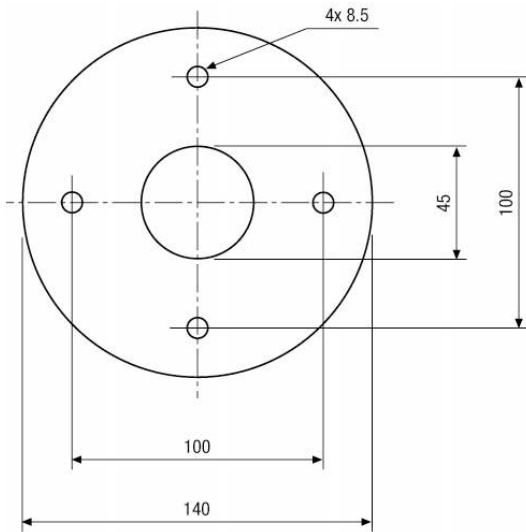
**Art-Nr. 200827**



## Specifications

Series	eneo PXD
Material	metal
Colour	RAL9003
Dimensions (HxWxD)	250x50
Weight	1kg

## Technical drawing



Maße/Dimensions: mm

### SLD Networks Limited

4 Mays Close, Weybridge, Surrey KT130XL England  
Phone +44.1483225633 Fax +44.1483225634  
enquiries@sldnetworks.com <http://sldnetworks.com/>