

PLD-WMB1

Home | Security | IP Domes | Accessories

PLD-WMB1

Wall Bracket, for Domes, eneo PLD, PXD,

HDD-PTZ Series, 348mm, Safety Rope

Art-Nr. 200825



Specifications

Series	eneo PXD
Material	metal
Colour	RAL9003
Dimensions (HxWxD)	138,6x104x348
Weight	1.5 kg

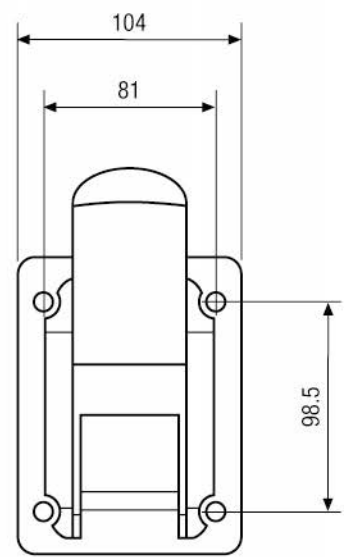
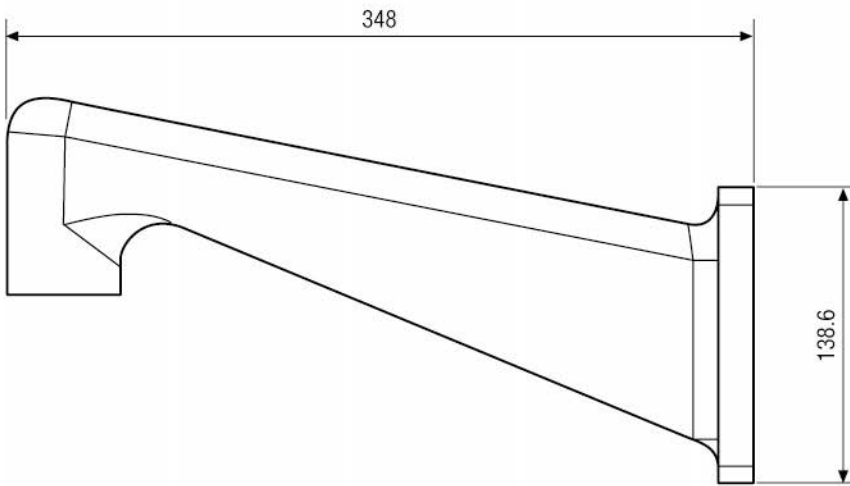
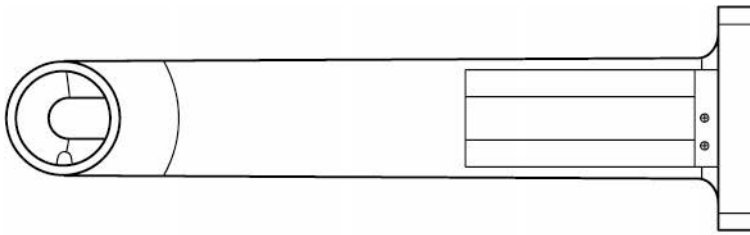
Optional accessories

200830	PLD-CMA1	Corner Mount Adaptor, for eneo PLD-WMB1, PLD-WMB2
200835	PLD-AKS2	Pole Mount Connection Box, for eneo PLD-WMB1, PLD-WMB2, Power Supply Unit NE-135
200834	PLD-PMA1	Pole Mount Adaptor, for eneo PLD-WMB1, PLD-WMB2
200832	PLD-AKS3	Corner Mount Connection Box, for eneo PLD-WMB1, PLD-WMB2, Power Supply NE-135
200829	PLD-AKS1	Connection Box, for eneo PLD-WMB1, PLD-WMB2, Power Supply Unit NE-135

PLD-WMB1

Home | Security | IP Domes | Accessories

Technical drawing



Maße/Dimensions: mm

SLD Networks Limited

4 Mays Close, Weybridge, Surrey KT130XL England

Phone +44.1483225633 Fax +44.1483225634

enquiries@sldnetworks.com <http://sldnetworks.com/>