

# PM-6S

Home | Security | Housings | Accessories

PM-6S  
Pole Mount Adapter for 1 Wall Mount,  
(50-140mm Pole), RAL9002

**Art-Nr. 79592**



## Main Features

For pole mounting  
Fixing for wall brackets WD-5/MK or WD-7/MK  
For housing series: VTL and VTL/WW

Rugged construction  
Ready for installation

## Specifications

|                    |  |
|--------------------|--|
| For pole diameters | 50 ~140mm                                    |
| Load capacity      | 20kg   |
| Kind of mounting   | Screw-fixed mounting bracket and locking jaw |
| Material           | Di-cast aluminium                            |
| Colour             | RAL9002                                      |
| Dimensions (HxWxD) | see drawing                                  |

# PM-6S

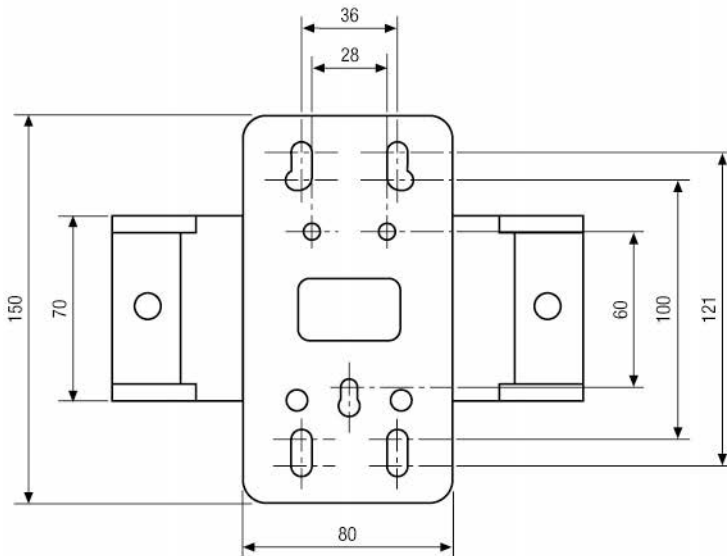
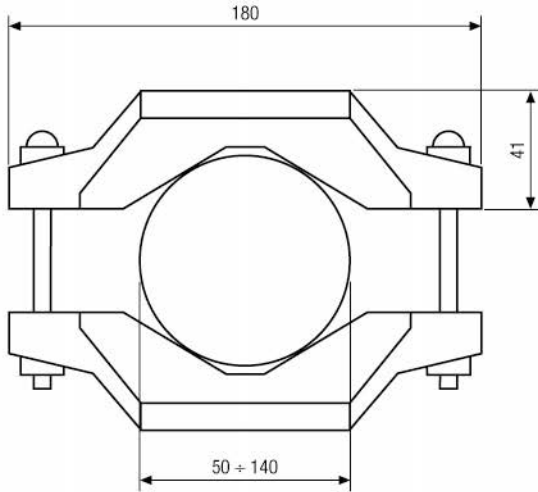
## Product information

\*) Fitted for the wall brackets WD-5/MK, WD-7/MK and WD-31/MK as well (Attention: partwise different finish)

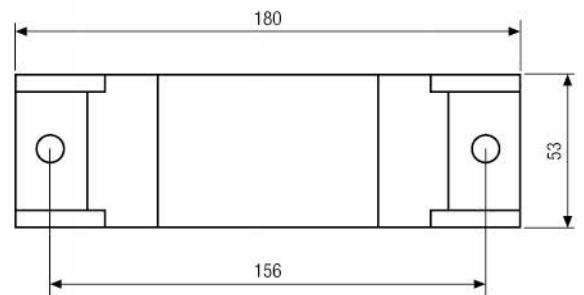
# PM-6S

Home | Security | Housings | Accessories

## Technical drawing



Montageplatte  
Bracket holder



Gegenplatte  
Locking plate

Maße/Dimensions: mm

### SLD Networks Limited

4 Mays Close, Weybridge, Surrey KT130XL England  
Phone +44.1483225633 Fax +44.1483225634  
enquiries@sldnetworks.com <http://sldnetworks.com/>