



## PXB-2080MIR D

Article number: 211424

1/3" Network Camera, Day&Night, H.264, 1920x1080, 3D-DNR, infrared, PoE, ONVIF

### Mainfeatures

1/3" 2.0 MP Progressive Scan CMOS sensor

Simultaneous video data stream (H.264/MJPEG)

Real time WDR (Wide Dynamic Range) 25/30fps

Integral motion detection

Alarm recording (SD card)

IR illumination switchable via OSD menu

Resolution max. 1920x1080 (Full HD)

Removeable infrared cut filter (ICR)

3D-DNR noise reduction, Defog function

Audio and alarm inputs/outputs

ONVIF conformity / IP67

Electronic focusing aid

### Specifications

Series	eneo Candid Medium
Resolution standard	HD 1080p
System	True Day&Night
Sensor size	1/3"
Imager	Panasonic Progressive Scan
Imager	CMOS
Sensitivity	0,07 Lux
Sensitivity	(colour), 0,001Lux(B&W), 40IRE
Automatic electronic shutter (ESC)	1/25~1/60000sec.
Manual electronic shutter (MES)	1/25~1/60000sec.
Digital Noise Reduction (DNR)	yes
Digital Noise Reduction (DNR)	2D-DNR, 3D-DNR

# PXB-2080MIR D

## Specifications continued

Low speed shutter	yes
Low speed shutter	automatic
White balance	ATW, ATW extended, one push, manual
Backlight compensation	BLC, HLC
Wide Dynamic Range (WDR)	WDR, D-WDR
Wide Dynamic Range (WDR)	113dB
IR cut filter	switchable
Mirror function	V flip, H-flip, H/V flip
Resolution max.	1920x1080
Resolution	1920x1080 (16:9), 1280x720 (16:9), 704x480 (4:3), 640x352 (4:3), 320x176 (16:9), 160x96 (16:9)
Image transmission rate max.	30 fps
Privacy zones masking	ON/OFF switchable
Activity detection	yes
Menu languages	English, German, French
External connections	Combi connector, RJ-45, SD card slot
Audio support	yes
Alarm inputs	1
Alarm outputs	1
Alarm processing	FTP, E-Mail
Internal storage	SD card, 32GB
Compression standard	H.264, M-JPEG
Stream types	1x H.264, 1x MJPEG simultan
Ethernet interface	10Base-T, 100Base-TX
Web browser	MS Internet Explorer vers. 7.0 or higher
Network protocols	HTTP, TCP, UDP, ARP, IPv4, ICMP, RTP, RTSP, PPPoE, SMTP, DHCP, NTP, UPnP, Telnet, FTP, IGMP, IPv6, SNMP, Zeroconf
Serial interfaces	no
Multicast compliant	yes
Lens type	varifocal
Focal length	2,8 - 10 mm
Horizontal angle of view	89 - 30 °
Digital zoom	2 ~ 8x
Filter screw size	not available
Illumination	40x IR-LEDs 850nm, 60°
Illumination range	approx. 50m
Password protection	yes
e-PTZ support	no
Flickerless function	yes
Supply voltage	12VDC, 24VAC, PoE
Power over Ethernet	IEEE 802.3af
Power consumption	12W max.
Temperature range (operation)	-50°C ~ +50°C
Temperature range (heater deactivated)	-20°C ~ +50°C
Window heater	yes

# PXB-2080MIR D

## Specifications continued

Vandalism resistant	no
Housing	outdoor
Housing material	aluminium
Colour (housing)	Pantone Cool Gray 1C
Protection rating	IP67
Sunshield	yes
Integrated wall mount	yes
Hidden cable management	yes
SDK	upon request
ONVIF	yes, Profile S
Certificates	CE
Dimensions (HxWxD)	100x107,8x277mm
Weight	1.35kg
Parts supplied	manual, screw set, allen key, Video sub-out cable, mounting plate
Remarks	Operating temperature range of the camera changes when IR illumination is switched OFF

## Special features

Exact focus setting aid, Focus and zoom adjustable from the outside

Preset Zoom (4 adjustable positions)

Flex zoom, electronic PTZ control

IR illumination ON / OFF switchable( OSD Menu)

Smart Motion Zoom--Zoom on defined ROI on motion

Pointing Zoom -- enables the flexible zooming at any area

Exact focus setting aid

COLOR D / N Fixed color mode, optimized for applications with white light illumination

# PXB-2080MIR D

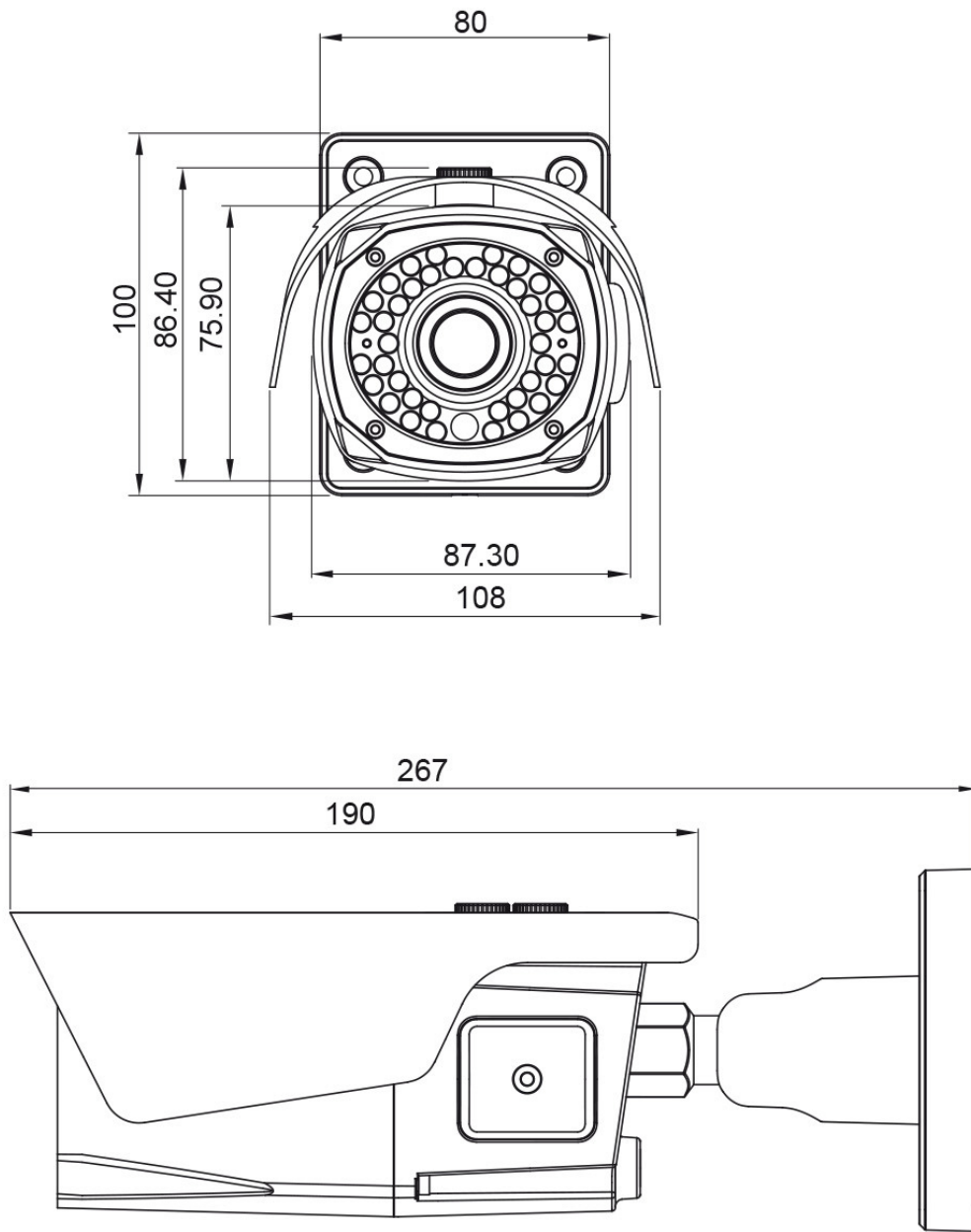
## Available Accessories

Bild	Art. Nr. / Bezeichnung	Beschreibung
	202641 / PM-42A	Pole mount adaptor for eneo Candid, Candid S, Candid M Candid L, W3, WB1, AK-5
	202888 / AK-4	Camera junction box, for Candid Small ,Candid Medium, Candid Large Series
	203658 / VT-PS12DC-11	Plug-in Power Supply Unit, 100-240VAC/12VDC (1.0A), Regulated, with DC Plug
	210144 / eneo Scan Device	Management program for eneo IP Cameras
	211974 / ENX-900P	PoE Extender, RJ45, Indoor, up to 100m, Gigabit Ethernet, Half/Full Duplex
	211980 / EVX-900R	Media Converter, Indoor, Transmitter-Receiver, 1x RJ45, 1x RJ-11, 12V, up to 1000m
	211981 / EVX-900B	Media Converter, indoor, Transmitter-Receiver, 1x RJ45, 1x BNC, 12V, up to 1000m
	211976 / ECB-1	Media Converter, Indoor, 1x RJ45, 1x SFP
	211979 / ENI-900P	PoE Injector, Gigabit, Indoor, PoE+, RJ45
	211982 / EPS-1008	PoE Switch, 8x PoE+, 1x RJ45, 1x SFP, 130W, Metal Housing
	211983 / EPS-1016	PoE Switch, 16x PoE+, 2x RJ45, 2x SFP, 250W, 19" Rack



# PXB-2080MIR D

Technical Drawing



Dimensions: mm

## Your Contact Person

**SLD Security & Communications**  
4 Mays Close, Weybridge, Surrey KT130XL England  
Phone +44.1483225633 Fax +44.1483225634  
enquiries@sld.uk <http://sld.uk/>