



PXD-2080MIR D

Article number: 211426

1/3" Network Dome, Fixed, Day&Night, H.264, 1920x1080, 3D-DNR, Infrared, PoE, ONVIF

Mainfeatures

1/3" 2.0 megapixels Progressive Scan CMOS

Simultaneous video data stream (H.264/MJPEG)

Switchable infrared cut filter

3D-DNR noise reduction, defog function

Hard coated bubble, anti scratch protection

ONVIF conformity, PoE IEEE 802.3af

Resolution max. 1920x1080 (Full HD)

Variofocal lens 2.8~10mm, day&night

Real time WDR (Wide Dynamic Range) 25/30fps

Integral motion detection,3-Axis Gimbal

IR illumination switchable via OSD menu

Combi connector for easy installation

Specifications

Resolution standard	HD 1080p
System	True Day&Night
Sensor size	1/3"
Imager	Panasonic Progressive Scan
Imager	CMOS
Sensitivity	0,07 Lux
Sensitivity	(colour), 0,001Lux(B&W), 40IRE
Automatic electronic shutter (ESC)	1/25~1/60000sec.
Manual electronic shutter (MES)	1/25~1/60000sec.
Digital Noise Reduction (DNR)	yes
Digital Noise Reduction (DNR)	2D-DNR, 3D-DNR
Low speed shutter	yes

PXD-2080MIR D

Specifications continued

Low speed shutter	automatic
White balance	ATW, one push, manual
Backlight compensation	BLC, HLC
Wide Dynamic Range (WDR)	D-WDR, WDR
Wide Dynamic Range (WDR)	113dB
IR cut filter	switchable
Mirror function	V flip, H-flip, H/V flip
Resolution max.	1920x1080
Resolution	1920x1080 (16:9), 1280x720 (16:9), 704x480 (4:3), 640x352 (4:3), 320x176 (16:9), 160x96 (16:9)
Image transmission rate max.	30 fps
Privacy zones masking	ON/OFF switchable
Activity detection	yes
Analysis functions	activity detection
Menu languages	English, German, French
External connections	Combi connector, RJ-45, SD card slot
Video outputs	composite control out
Audio support	yes
Alarm inputs	1
Alarm outputs	1
Internal storage	microSD card, 32GB
Compression standard	H.264, M-JPEG
Stream types	1x H.264, 1x MJPEG simultan
Ethernet interface	10Base-T, 100Base-TX
Web browser	MS Internet Explorer vers. 7.0 or higher
Network protocols	HTTP, TCP, UDP, ARP, IPv4, ICMP, RTP, RTSP, PPPoE, SMTP, DHCP, NTP, UPnP, Telnet, FTP, IGMP, IPv6, SNMP, Zeroconf
Multicast compliant	yes
Lens type	varifocal
Focal length	2,8 - 10 mm
Horizontal angle of view	89 - 30 °
MOD (Minimum object distance)	0,5 m
Illumination	infrared
Illumination	30x IR-LEDs 850nm, 60°
Illumination range	approx. 40m
Remote configuration	web browser
Password protection	yes
e-PTZ support	no
Rotation range	+/-165 °
Vertical tilt range	65° (25° ~ 90°, ceiling as reference)
Supply voltage	12VDC, 24VAC, PoE
Power over Ethernet	IEEE 802.3af
Blower	yes
Heater	yes
Power consumption	12W max.

PXD-2080MIR D

Specifications continued

Mounting	ceiling/wall flush mount, on wall and ceiling mounting only in conjunction with related accessories, Outdoor installation only in conjunction with AK-5
Temperature range (operation)	-30°C ~ +50°C
Window heater	yes
Vandalism resistant	yes
Housing	outdoor
Housing material	aluminium
Colour (housing)	Pantone Cool Gray 1C
Colour (bubble)	clear
Protection rating	IP67
ONVIF	yes, Profile S
Certificates	CE, IK10
Dimensions (HxWxD)	119x140
Weight	1 kg
Remarks	Operating temperature range of the camera changes when IR illumination is switched OFF

Special features

Preset Zoom (4 adjustable positions)

IR illumination ON / OFF switchable(OSD Menu)

Flex zoom, electronic PTZ control

Smart Motion Zoom--Zoom on defined ROI on motion



Pointing Zoom -- enables the flexible zooming at any area

COLOR D / N Fixed color mode, optimized for applications with white light illumination

PXD-2080MIR D

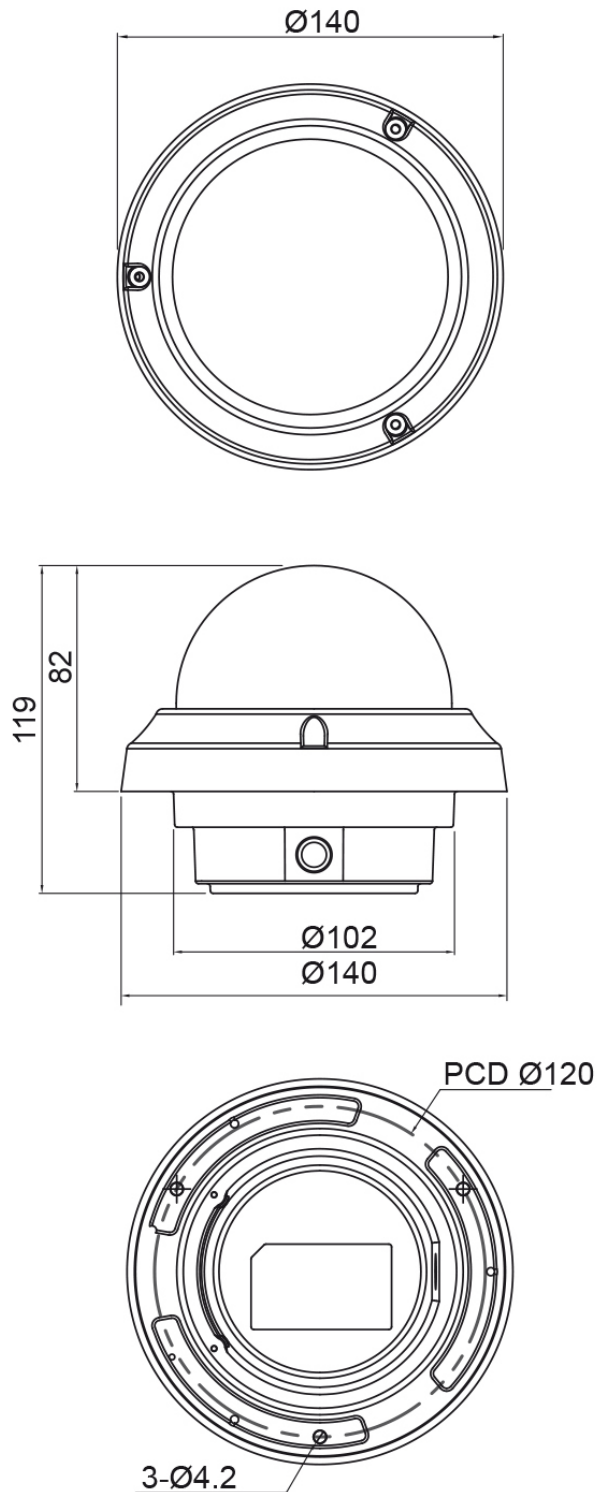
Available Accessories

Bild	Art. Nr. / Bezeichnung	Beschreibung
	203658 / VT-PS12DC-11	Plug-in Power Supply Unit, 100-240VAC/12VDC (1.0A), Regulated, with DC Plug
	207192 / DOME/WEDGE2	Wedge Adapter, Callisto Dome Line
	209831 / DOME/BASIS1	Surface mount base , Callisto Dome line
	209832 / AK-5	Camera Junction Box, for Callisto Dome series, IP66
	209880 / DOME-WB1+DOME/ Basis1	Wall Bracket & Surface mount base, Callisto Dome line
	210144 / eneo Scan Device	Management program for eneo IP Cameras
	211974 / ENX-900P	PoE Extender, RJ45, Indoor, up to 100m, Gigabit Ethernet, Half/Full Duplex
	211980 / EVX-900R	Media Converter, Indoor, Transmitter-Receiver, 1x RJ45, 1x RJ-11, 12V, up to 1000m
	211981 / EVX-900B	Media Converter, indoor, Transmitter-Receiver, 1x RJ45, 1x BNC, 12V, up to 1000m
	211976 / ECB-1	Media Converter, Indoor, 1x RJ45, 1x SFP
	211979 / ENI-900P	PoE Injector, Gigabit, Indoor, PoE+, RJ45

	211982 / EPS-1008	PoE Switch, 8x PoE+, 1x RJ45, 1x SFP, 130W, Metal Housing
	211983 / EPS-1016	PoE Switch, 16x PoE+, 2x RJ45, 2x SFP, 250W, 19" Rack

PXD-2080MIR D

Technical Drawing



Maße/Dimensions: mm

Your Contact Person

SLD Security & Communications
4 Mays Close, Weybridge, Surrey KT130XL England
Phone +44.1483225633 Fax +44.1483225634
enquiries@sld.uk <http://sld.uk/>